

High Performance Centrifugal Fan with a Scroll Casing

- Designed to Fit Very Low Volume
- Ready to Customize According to Project Requirements
- Under Test to Comply With MIL-STD-810, DO-160, MIL-STD-461 Standards
- High Air Flow Rate
- Militarized Product

Technical Specs



Axial Flow

Axial Flow Air Discharge



PEEK or Aluminum

Total Weight 6kg



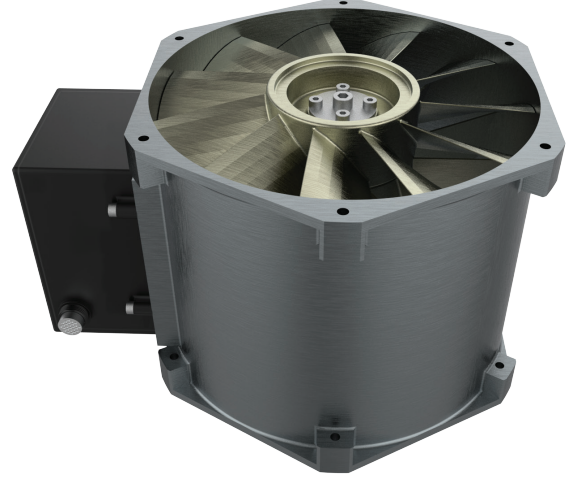
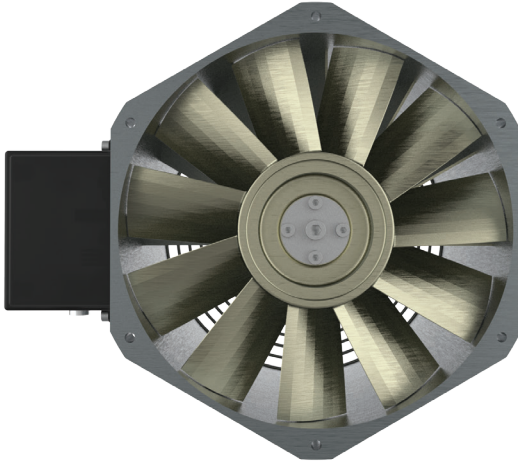
Electrical Drive



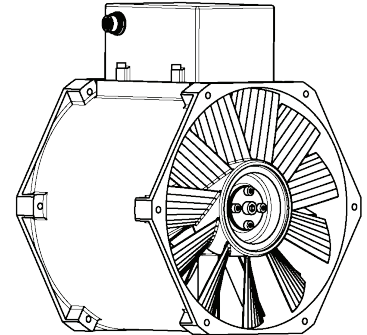
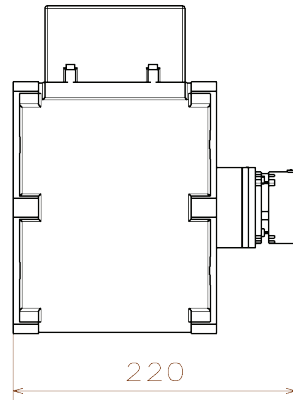
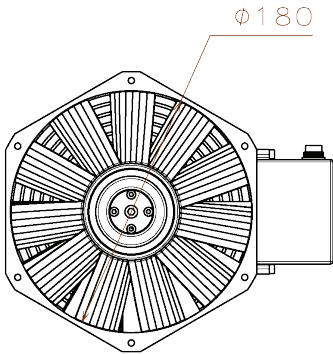
Flowrate

0,48 m³/s flowrate @11000 rpm

Product Pictures



Dimensions



All dimensions are in mm

R&D Office Ankara

Cyberpark Cyberplaza B Blok 2. Kat No:
B208, 06800 Bilkent/Ankara
Tel: 312 265 0800 Fax: 312 265 0801

R&D Office İstanbul

Sanayi Mah. Teknopark Blv.
Teknopark 4A 1/4A 101
Pendik/İstanbul

Manufacturing & Test Facility

Tepeören Mah. Özvatan Caddesi
No:9B/2-3 Tuzla / İstanbul
Tel: 216 304 2004 Fax: 216 304 2044